

# TABLE OF CONTENTS

SHEETS 1-5	OVERVIEW MAPS
SHEETS 6-9	SPEED CUSHIONS FOR PEACHTREE STREET
SHEETS 10-13	SPEED CUSHIONS FOR WHITSETT ROAD
SHEETS 14-16	SPEED CUSHIONS FOR LUTIE STREET
SHEETS 17-18	SPEED CUSHION DETAILS
SHEETS 19-26	RADAR FEEDBACK SIGNS FOR GLENROSE DRIVE

**LEGEND**

**C** SPEED CUSHION

**R** RADAR SPEED FEEDBACK SIGN



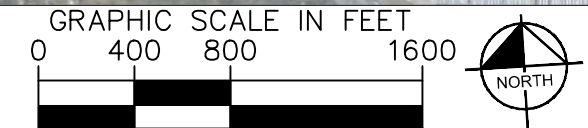
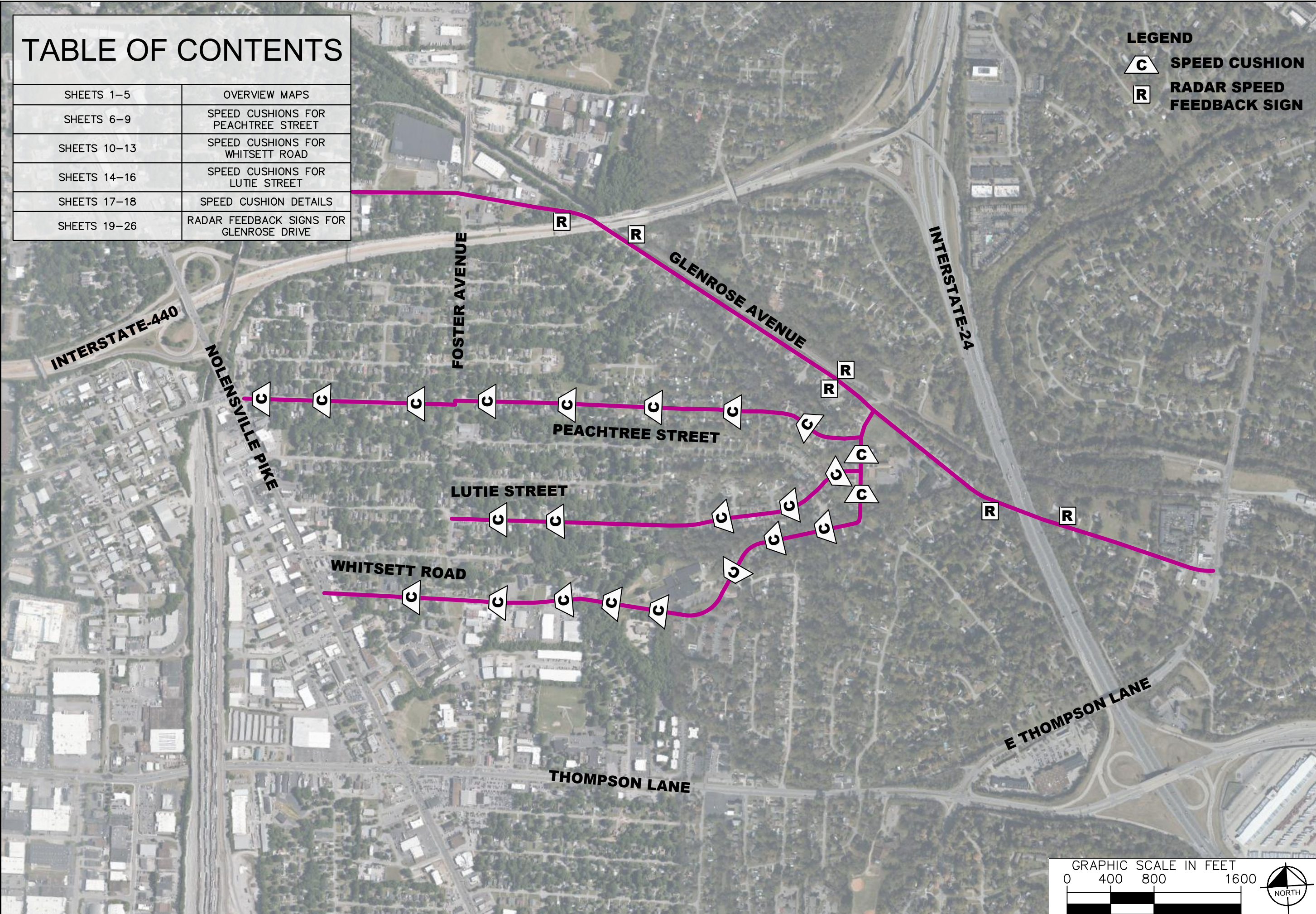
WOODBINE  
TRAFFIC CALMING  
NASHVILLE, TN

DRAFT  
PRELIMINARY  
PLANS  
FOR REVIEW ONLY

NO.	DATE	BY	REVISIONS
1			
2			
3			
4			
5			
6			
7			
8			
9			
10			

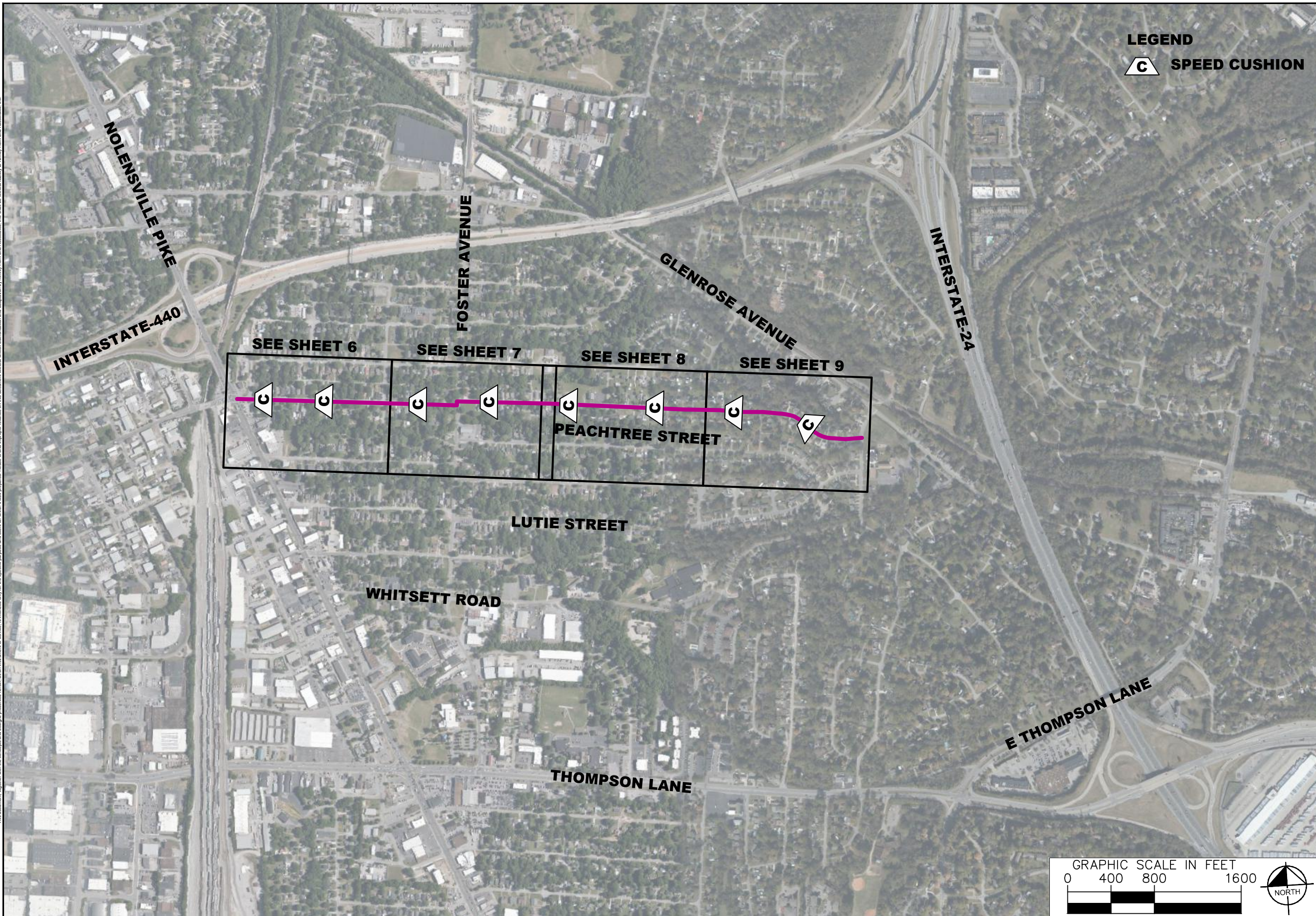
DESIGNED BY: RBW  
DRAWN BY: EJW  
CHECKED BY: NDOT  
DATE: 9/8/2022  
KIMLEY-HORN PROJECT NO. 118900005

CONCEPT PLAN  
SHEET NUMBER  
**01**



This document, together with the concepts and designs presented herein, is intended only for the specific purpose and client for which it was prepared. Reuse of and improper reliance on the documents without written authorization and adaptation by Kimley-Horn and Associates, Inc. shall be without liability to Kimley-Horn and Associates, Inc.

This document, together with the concepts and designs presented herein, is intended only for the specific purpose and client for which it was prepared. Reuse of and improper reliance on the documents without written authorization and adaptation by Kimley-Horn and Associates, Inc. shall be without liability to Kimley-Horn and Associates, Inc.



**LEGEND**  
 **SPEED CUSHION**



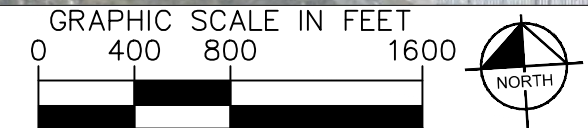
**WOODBINE**  
**TRAFFIC CALMING**  
NASHVILLE, TN

**DRAFT**  
**PRELIMINARY**  
**PLANS**  
FOR REVIEW ONLY

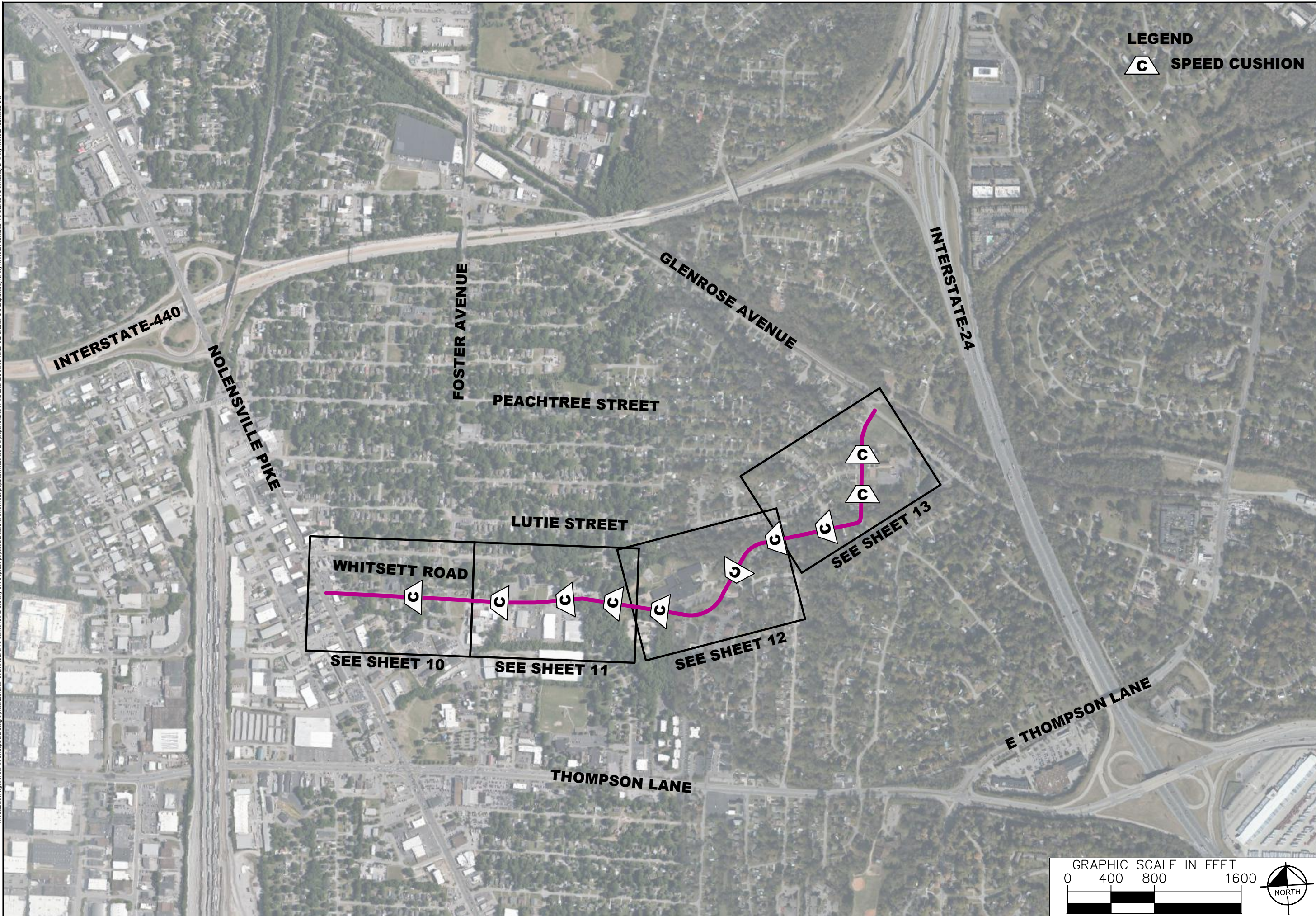
NO.	DATE	BY	REVISIONS
1			
2			
3			
4			
5			
6			
7			
8			
9			
10			

DESIGNED BY: RBW  
 DRAWN BY: EJW  
 CHECKED BY: NDOT  
 DATE: 9/8/2022  
 KIMLEY-HORN PROJECT NO. 11890005

CONCEPT PLAN  
SHEET NUMBER  
**02**



This document, together with the concepts and designs presented herein, is intended only for the specific purpose and client for which it was prepared. Reuse of and improper reliance on this document without written authorization and adaptation by Kimley-Horn and Associates, Inc. shall be without liability to Kimley-Horn and Associates, Inc.



**LEGEND**  
C SPEED CUSHION



**WOODBINE**  
**TRAFFIC CALMING**  
NASHVILLE, TN

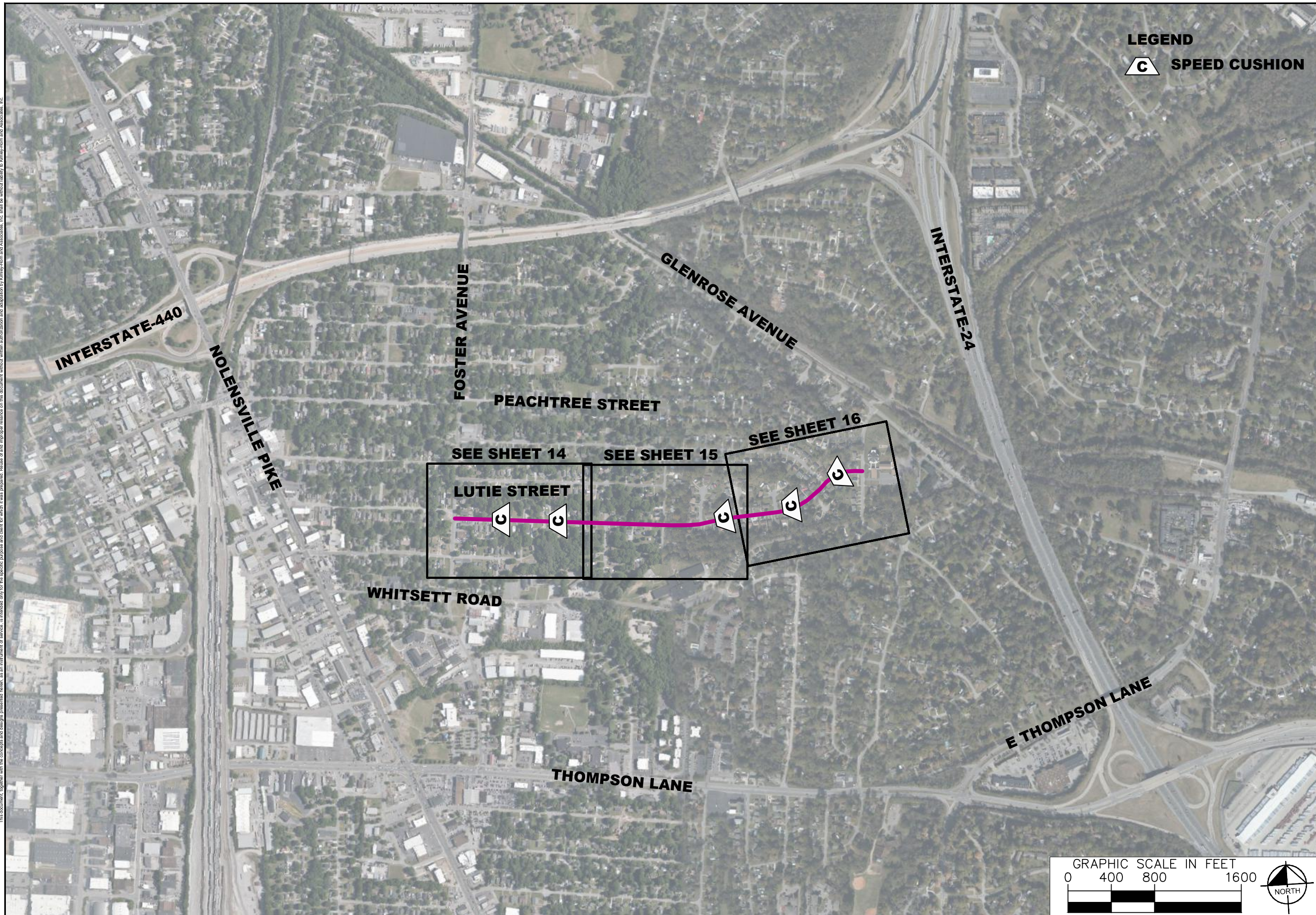
**DRAFT**  
**PRELIMINARY**  
**PLANS**  
FOR REVIEW ONLY

NO.	DATE	BY	REVISIONS
1			
2			
3			
4			
5			
6			
7			
8			
9			
10			

DESIGNED BY: RBW  
 DRAWN BY: EJW  
 CHECKED BY: NDOT  
 DATE: 9/8/2022  
 KIMLEY-HORN PROJECT NO. 118900005

CONCEPT PLAN  
SHEET NUMBER  
**03**

This document, together with the concepts and designs presented herein, is intended only for the specific purpose and client for which it was prepared. Reuse of and improper reliance on this document without written authorization and adaptation by Kimley-Horn and Associates, Inc. shall be without liability to Kimley-Horn and Associates, Inc.



**LEGEND**  
**C** SPEED CUSHION

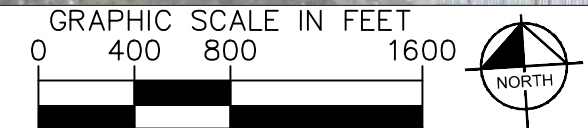


**WOODBINE**  
**TRAFFIC CALMING**  
NASHVILLE, TN

**DRAFT**  
**PRELIMINARY**  
**PLANS**  
FOR REVIEW ONLY

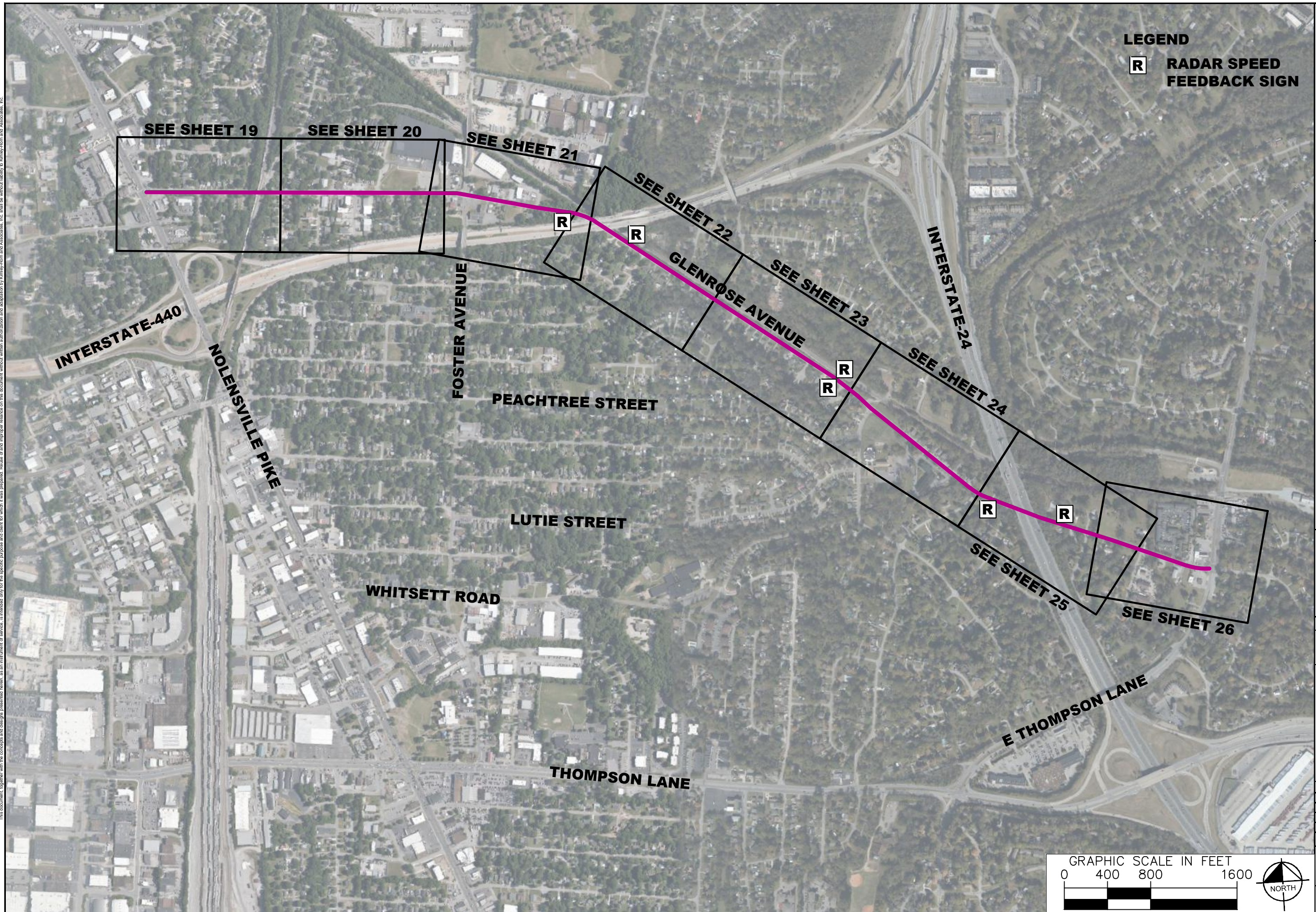
NO.	DATE	BY	REVISIONS
1			
2			
3			
4			
5			
6			
7			
8			
9			
10			

DESIGNED BY: RBW  
DRAWN BY: EJW  
CHECKED BY: NDOT  
DATE: 9/8/2022  
KIMLEY-HORN PROJECT NO. 118900005



CONCEPT PLAN  
SHEET NUMBER  
**04**

This document, together with the concepts and designs presented herein, is intended only for the specific purpose and client for which it was prepared. Reuse of and improper reliance on the documents without written authorization and adaptation by Kimley-Horn and Associates, Inc. shall be without liability to Kimley-Horn and Associates, Inc.



**LEGEND**  
**R** RADAR SPEED  
FEEDBACK SIGN

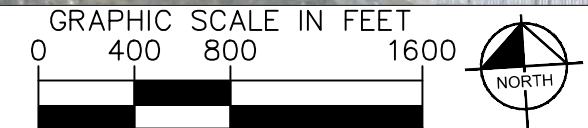


**WOODBINE  
TRAFFIC CALMING  
NASHVILLE, TN**

**DRAFT  
PRELIMINARY  
PLANS  
FOR REVIEW ONLY**

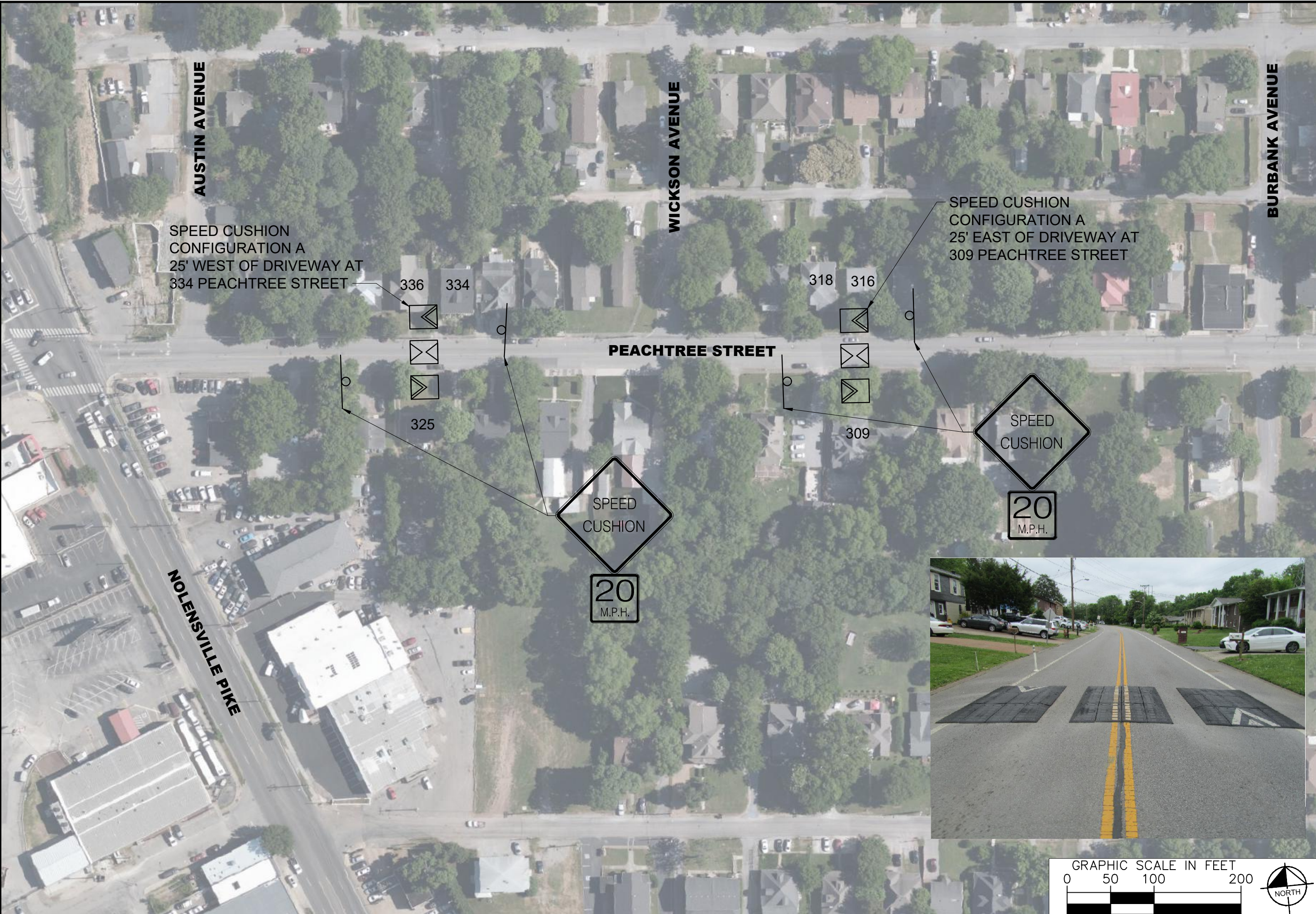
NO.	DATE	BY	REVISIONS
1			
2			
3			
4			
5			
6			
7			
8			
9			
10			

DESIGNED BY: RBW  
DRAWN BY: EJW  
CHECKED BY: NDOT  
DATE: 9/8/2022  
KIMLEY-HORN PROJECT NO. 118900005



CONCEPT PLAN  
SHEET NUMBER  
**05**

This document, together with the concepts and designs presented herein, is intended only for the specific purpose and client for which it was prepared. Reuse of and improper reliance on the documents without written authorization and adaptation by Kimley-Horn and Associates, Inc. shall be without liability to Kimley-Horn and Associates, Inc.



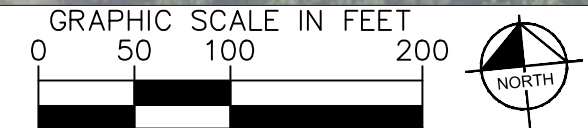
**WOODBINE  
TRAFFIC CALMING  
NASHVILLE, TN**

**DRAFT  
PRELIMINARY  
PLANS  
FOR REVIEW ONLY**

NO.	DATE	BY	REVISIONS
1			
2			
3			
4			
5			
6			
7			
8			
9			
10			

DESIGNED BY: ELW RBW  
 CHECKED BY: NDOT  
 DATE: 9/8/2022  
 KIMLEY-HORN PROJECT NO. 11890005

CONCEPT PLAN  
SHEET NUMBER  
**06**











This document, together with the concepts and designs presented herein, is intended only for the specific purpose and client for which it was prepared. Reuse of and improper reliance on the documents without written authorization and adaptation by Kimley-Horn and Associates, Inc. shall be without liability to Kimley-Horn and Associates, Inc.



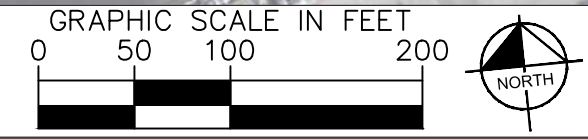
WOODBINE  
TRAFFIC CALMING  
NASHVILLE, TN

DRAFT  
PRELIMINARY  
PLANS  
FOR REVIEW ONLY

NO.	DATE	BY	REVISIONS	
			DATE	BY
1				
2				
3				
4				
5				
6				
7				
8				
9				
10				

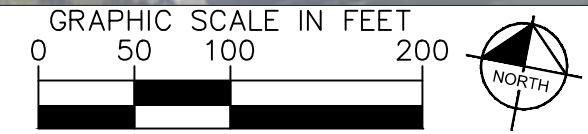
DESIGNED BY: RBW  
DRAWN BY: EJW  
CHECKED BY: NDOT  
DATE: 9/8/2022  
KIMLEY-HORN PROJECT NO. 11890005

CONCEPT PLAN  
SHEET NUMBER  
**10**









NO.	DATE	BY	REVISIONS
1			
2			
3			
4			
5			
6			
7			
8			
9			
10			

DESIGNED BY: \_\_\_\_\_ RBW  
 DRAWN BY: \_\_\_\_\_ EJW  
 CHECKED BY: \_\_\_\_\_ NDOT  
 DATE: 9/8/2022  
 KIMLEY-HORN PROJECT NO. 11890005

This document, together with the concepts and designs presented herein, is intended only for the specific purpose and client for which it was prepared. Reuse of and improper reliance on the documents without written authorization and adaptation by Kimley-Horn and Associates, Inc. shall be without liability to Kimley-Horn and Associates, Inc.



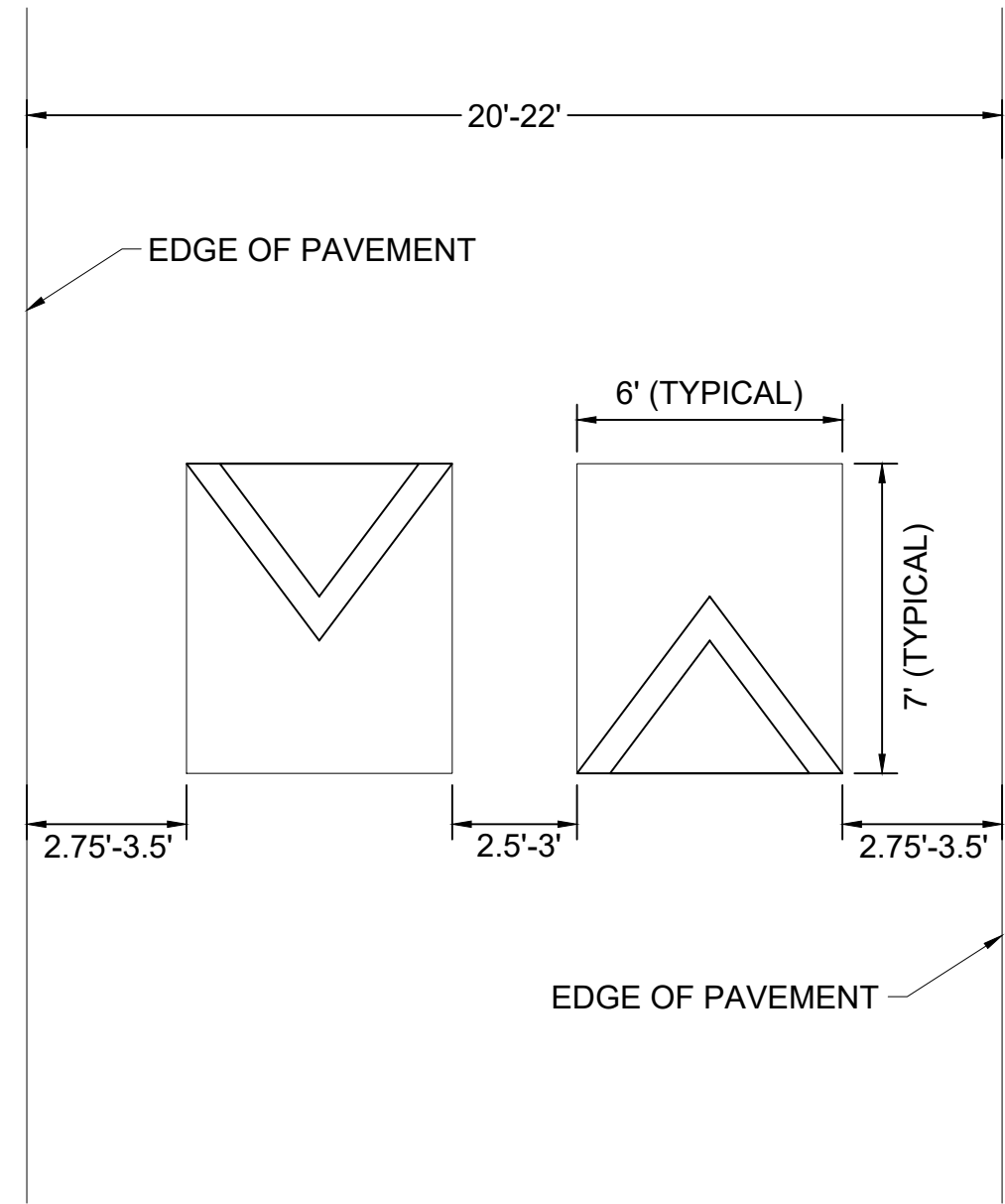
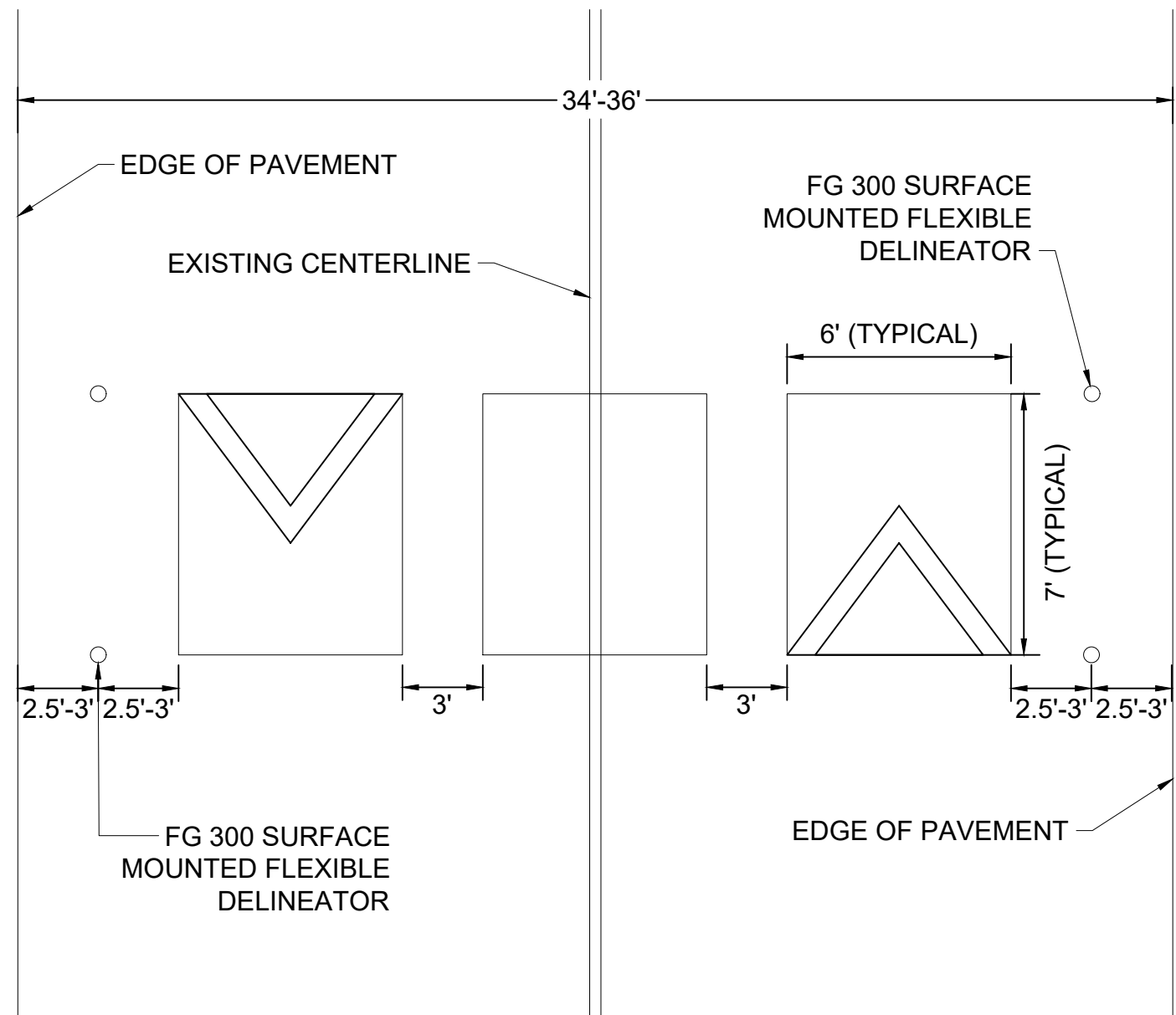






CONFIGURATION A

CONFIGURATION B



WOODBINE  
TRAFFIC CALMING  
NASHVILLE, TN

DRAFT  
PRELIMINARY  
PLANS  
FOR REVIEW ONLY

NO.	DATE	BY	REVISIONS
1			
2			
3			
4			
5			
6			
7			
8			
9			
10			

DESIGNED BY: RBW  
DRAWN BY: EJW  
CHECKED BY: NDOT  
DATE: 9/8/2022  
KIMLEY-HORN PROJECT NO. 118900005

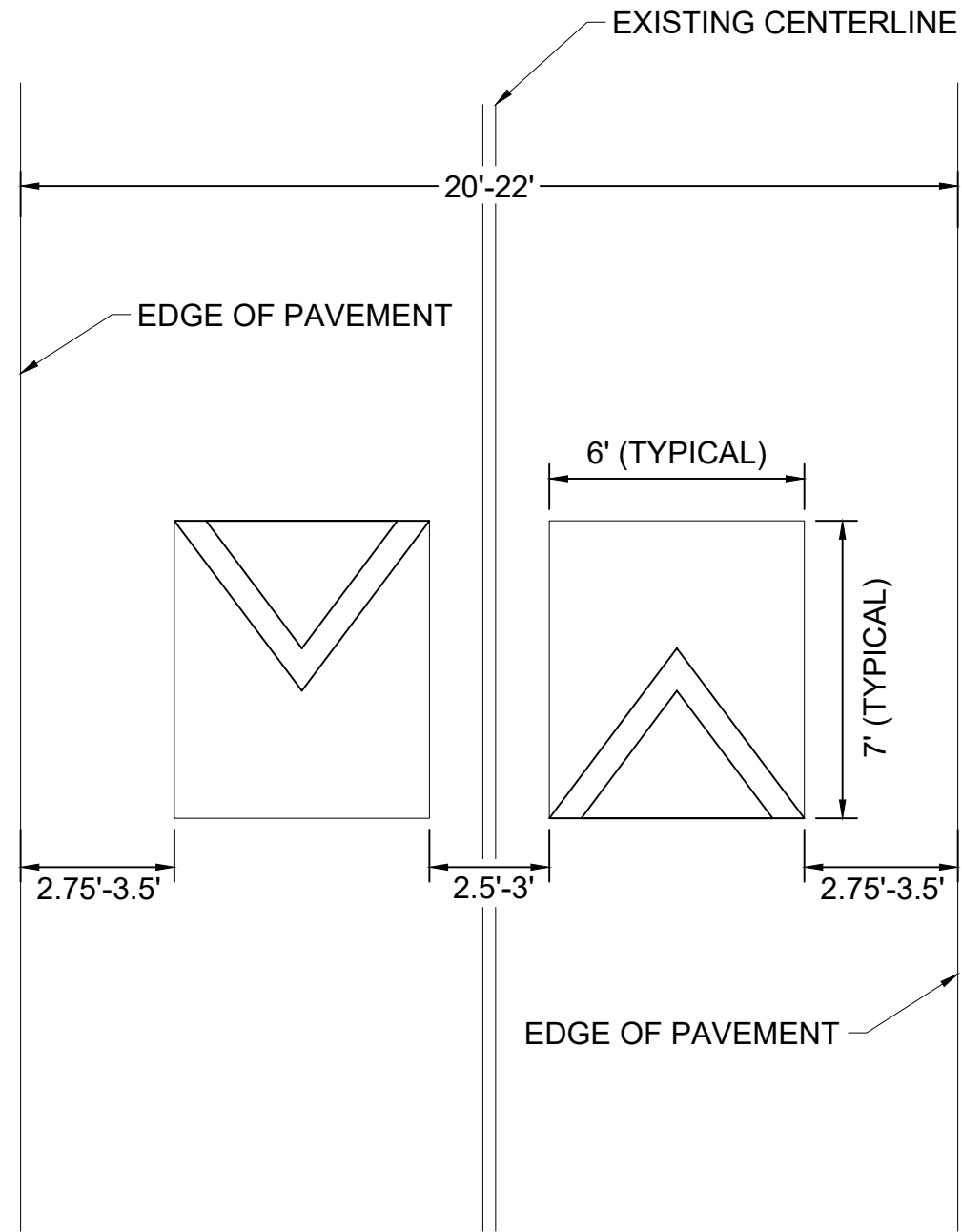
CONCEPT PLAN

SHEET NUMBER  
**17**

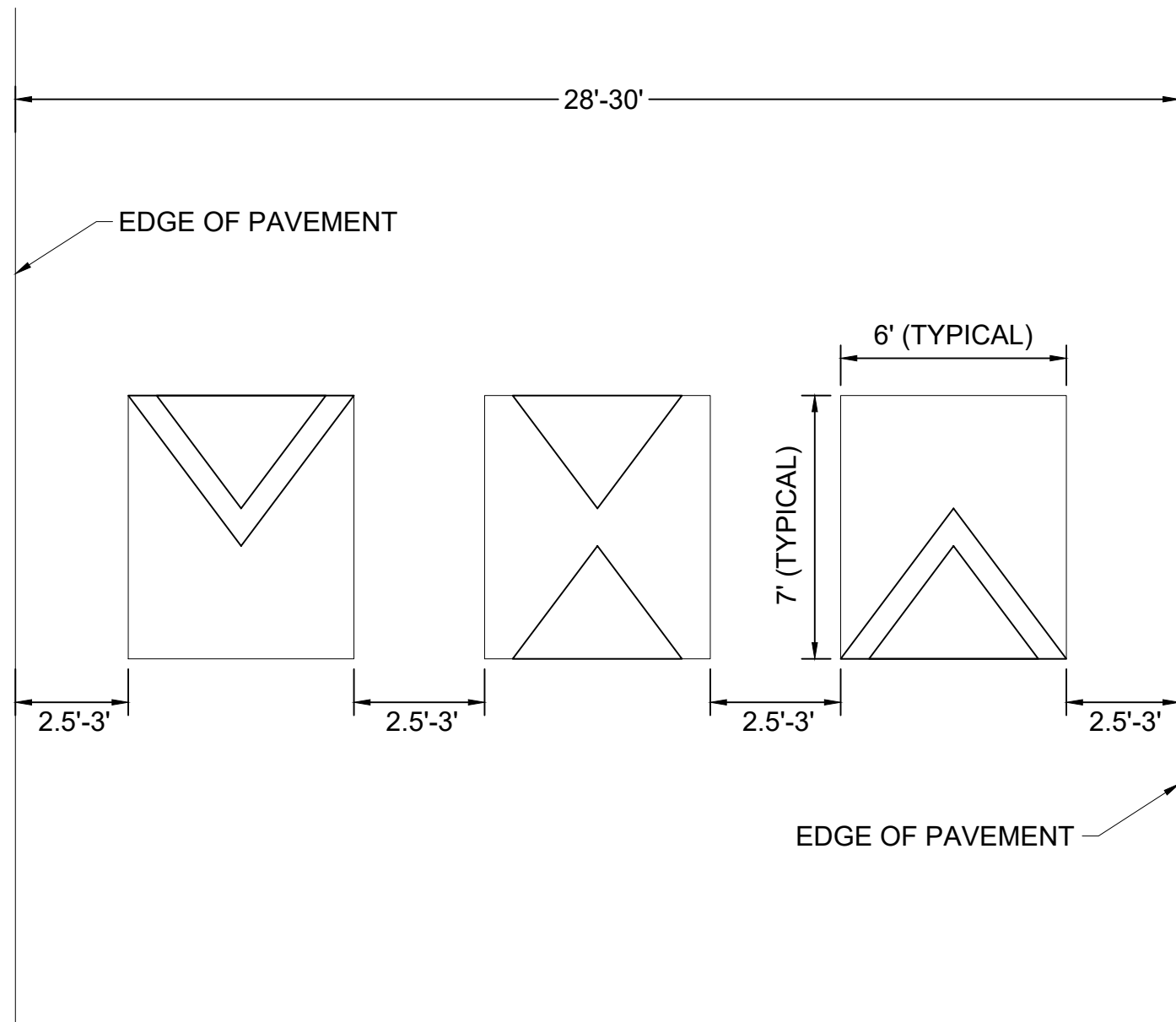
This document, together with the concepts and designs presented herein, is intended only for the specific purpose and client for which it was prepared. Reuse of and improper reliance on the documents without written authorization and adaptation by Kimley-Horn and Associates, Inc. shall be without liability to Kimley-Horn and Associates, Inc.

This document, together with the concepts and designs presented herein, is intended only for the specific purpose and client for which it was prepared. Reuse of and improper reliance on the documents without written authorization and adaptation by Kimley-Horn and Associates, Inc. shall be without liability to Kimley-Horn and Associates, Inc.

**CONFIGURATION C**



**CONFIGURATION D**



**WOODBINE  
TRAFFIC CALMING  
NASHVILLE, TN**

**DRAFT  
PRELIMINARY  
PLANS  
FOR REVIEW ONLY**

NO.	REVISIONS	DATE	BY
1			
2			
3			
4			
5			
6			
7			
8			
9			
10			

DESIGNED BY: RBW  
 DRAWN BY: EJW  
 CHECKED BY: NDOT  
 DATE: 9/8/2022  
 KIMLEY-HORN PROJECT NO. 118900005

CONCEPT PLAN

SHEET NUMBER  
**18**







This document, together with the concepts and designs presented herein, is intended only for the specific purpose and client for which it was prepared. Reuse of and improper reliance on the documents without written authorization and adaptation by Kimley-Horn and Associates, Inc. shall be without liability to Kimley-Horn and Associates, Inc.



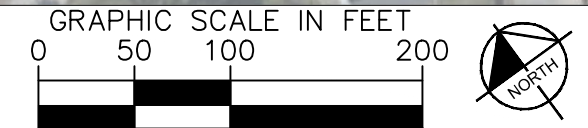
**WOODBINE  
TRAFFIC CALMING  
NASHVILLE, TN**

**DRAFT  
PRELIMINARY  
PLANS  
FOR REVIEW ONLY**

NO.	DATE	BY	REVISIONS
1			
2			
3			
4			
5			
6			
7			
8			
9			
10			

DESIGNED BY: RBW  
DRAWN BY: EJW  
CHECKED BY: NDOT  
DATE: 9/8/2022  
KIMLEY-HORN PROJECT NO. 118900005

CONCEPT PLAN  
SHEET NUMBER  
**22**



This document, together with the concepts and designs presented herein, is intended only for the specific purpose and client for which it was prepared. Reuse of and improper reliance on the documents without written authorization and adaptation by Kimley-Horn and Associates, Inc. shall be without liability to Kimley-Horn and Associates, Inc.



SPEED LIMIT  
**40**

YOUR SPEED  
**40**

SPEED LIMIT  
**40**

YOUR SPEED  
**40**

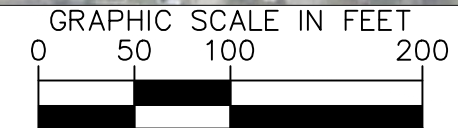
**GLENROSE AVENUE**

**GLENROSE CIRCLE**

**GLENROSE COURT**

**SANDRA DRIVE**

200



**WOODBINE  
TRAFFIC CALMING  
NASHVILLE, TN**

**DRAFT  
PRELIMINARY  
PLANS  
FOR REVIEW ONLY**

NO.	REVISIONS	DATE	BY
1			
2			
3			
4			
5			
6			
7			
8			
9			
10			

DESIGNED BY: ELW  
 DRAWN BY: NDOT  
 CHECKED BY: NDOT  
 DATE: 9/8/2022  
 KIMLEY-HORN PROJECT NO. 118900005

CONCEPT PLAN

SHEET NUMBER  
**23**

This document, together with the concepts and designs presented herein, is intended only for the specific purpose and client for which it was prepared. Reuse of and improper reliance on the documents without written authorization and adaptation by Kimley-Horn and Associates, Inc. shall be without liability to Kimley-Horn and Associates, Inc.



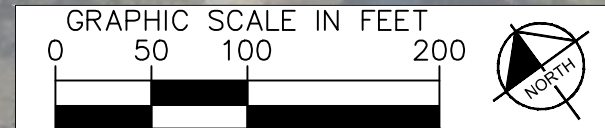
**WOODBINE  
TRAFFIC CALMING  
NASHVILLE, TN**

**DRAFT  
PRELIMINARY  
PLANS  
FOR REVIEW ONLY**

NO.	REVISIONS	DATE	BY
1			
2			
3			
4			
5			
6			
7			
8			
9			
10			

DESIGNED BY:	EBW
DRAWN BY:	NDOT
CHECKED BY:	NDOT
DATE:	9/8/2022
KIMLEY-HORN PROJECT NO.	11890005







This document, together with the concepts and designs presented herein, is intended only for the specific purpose and client for which it was prepared. Reuse of and improper reliance on this document without written authorization and adaptation by Kimley-Horn and Associates, Inc. shall be without liability to Kimley-Horn and Associates, Inc.



**WOODBINE  
TRAFFIC CALMING  
NASHVILLE, TN**

**DRAFT  
PRELIMINARY  
PLANS  
FOR REVIEW ONLY**

NO.	REVISIONS	DATE	BY
1			
2			
3			
4			
5			
6			
7			
8			
9			
10			

DESIGNED BY: **SHAW**  
 DRAWN BY: **SHAW**  
 CHECKED BY: **NDOT**  
 DATE: 9/8/2022  
 KIMLEY-HORN PROJECT NO. 118900005

CONCEPT PLAN  
 SHEET NUMBER  
**26**

